

Hand Clamp Cutter (HCC)

HCC 2000 | 407

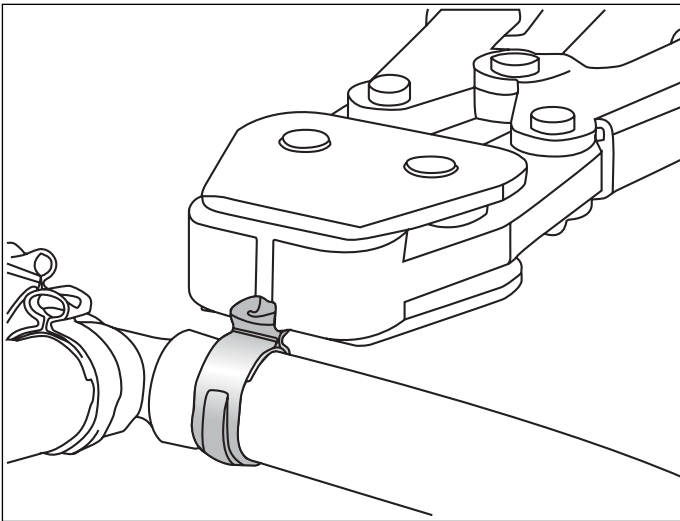


Reliable Connections

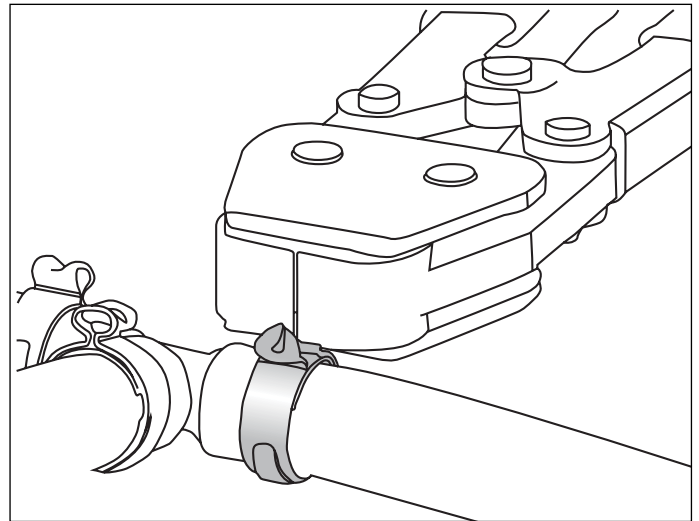
Recommended for the REMOVAL of Genuine Oetiker Ear Clamps

Benefits

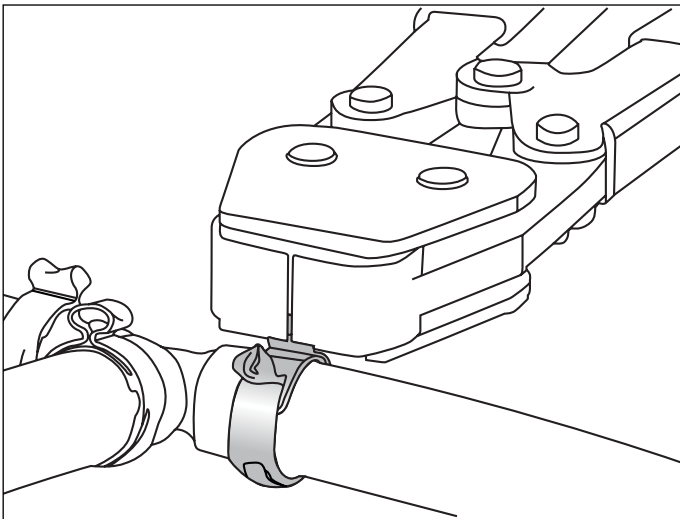
- Quick and easy ear clamp cutting
- Safest method of clamp removal
- Requires minimal hand force
- Minimizes damage to application



1. Place jaw tips on each side of clamp ear or single leg



2. Squeeze handles



3. Cut through and remove clamp

Caution must be observed with Hand Clamp Cutters. They can generate extreme forces. It is recommended that protective eye wear be worn when cutting clamps.

FOR CLAMP REMOVAL ONLY

United States: Oetiker, Inc. | 6317 Euclid Street
Marlette, Michigan 48453 | T +1 800 959 0398
info@us.oetiker.com

www.oetiker.com

Canada: Oetiker Limited | 203 Dufferin Street South
Alliston, Ontario L9R 1W7 | T +1 705 435 4394
info@ca.oetiker.com

Efficient. Reliable. Secure.