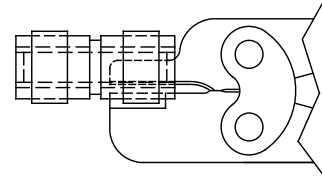
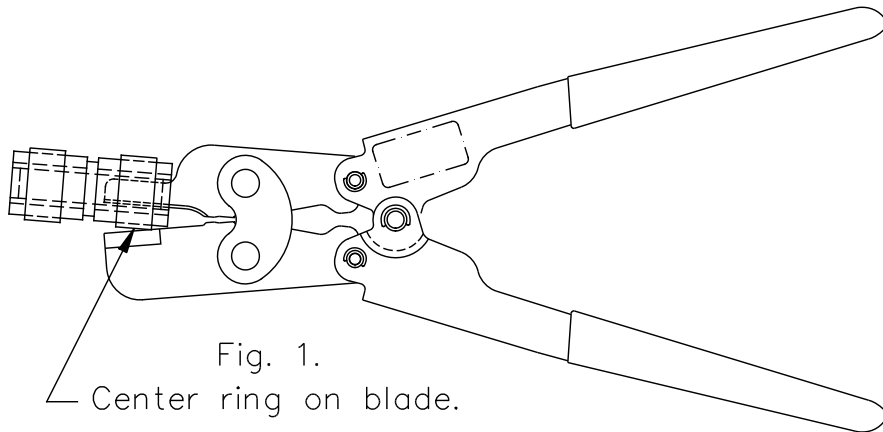


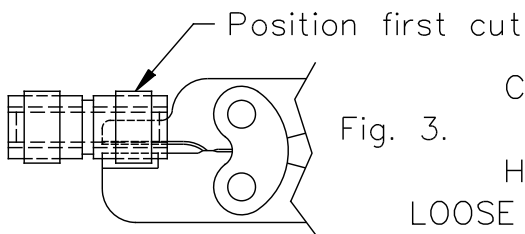
# INSTRUCTION SHEET

## 7407 ES

### 1/2" to 1" PEX RING REMOVAL TOOL



- Cut pipe close to end of fitting with pex pipe cutter or other method being careful not to damage fitting.
- Locate the ring on the pipe in the center of the cutting blade area. Fig. 1.
- Close tool to cut ring. Fig 2. A gap is designed into the tool to prevent damage to the barbs of the insert fitting during cutting.



CAUTION: WEAR SAFETY GLASSES DURING TOOL USE TO PREVENT EYE INJURY. HOLD RING DURING SECOND CUT TO PREVENT LOOSE PARTS FROM IMPACTING YOURSELF OR OTHERS.

- Open tool and rotate tool or pipe/fitting 180° and cut ring a second time. Fig. 3.
- Pry the remaining portions of the cut crimp ring off the pipe if necessary.
- Cut the pipe in several locations along the outside diameter, approximately 1/8" apart. This will relieve the tension of the pipe on the barbs of the insert fitting and the pipe should come off the fitting easily.
- Inspect the fitting for any marks on the barbs or deformation of the inside diameter of the fitting. If so discard the fitting.