

# SARGENT 1098 CT

## Installation Tool for Compression Style Connectors

The following connectors can be compressed using the 1098 CT Universal Compression Tool:

PPC CMP 6 & 59

Thomas & Betts (LRC) Snap-N-Seal:

SNS59, SNS59HEC, SNS59QS, SNS6, SNS6QS,

SNS59FF, SNS59QSFF, SNS6FF, SNS6QSFF,

SNS8159AS, SNS8159QSAS, SNS816AS, SNS816QSAS,  
SNS6KF81

1). Squeeze the Universal Tool handles without the connector installed and rotate the handle lock downwards to disengage and prepare for compressing of CMP Series connectors. (Fig 1.)

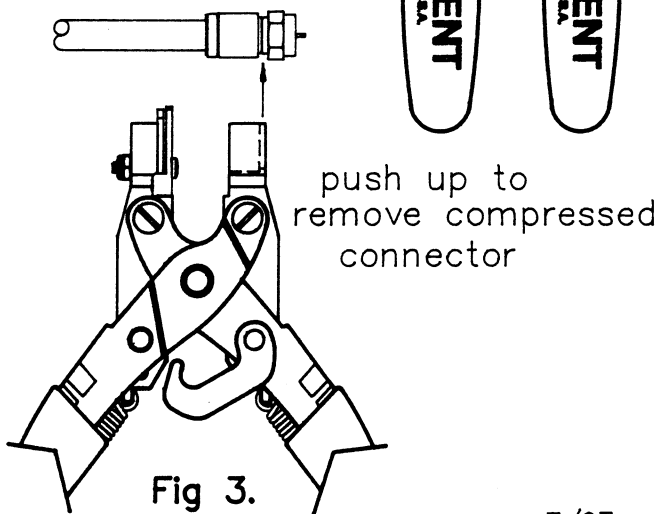
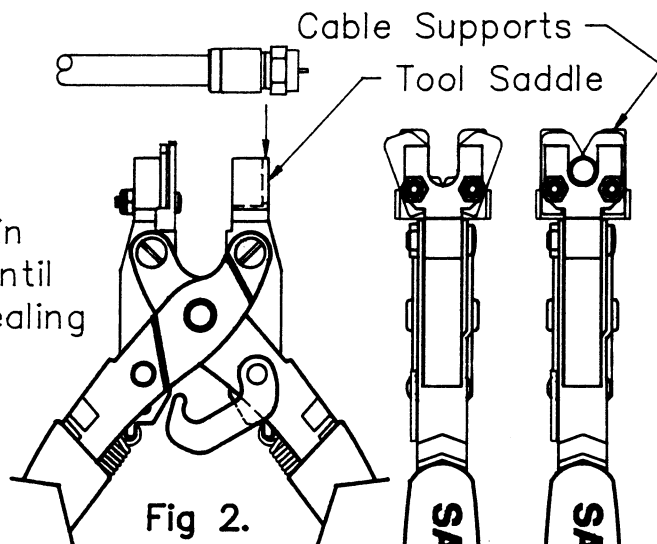
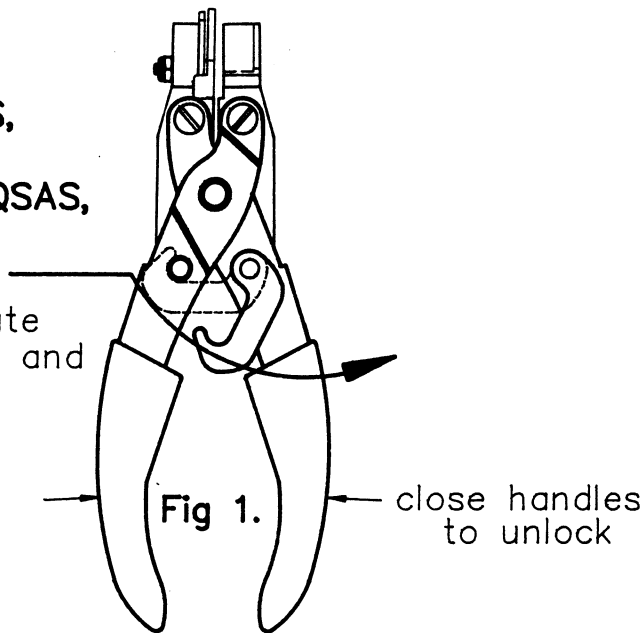
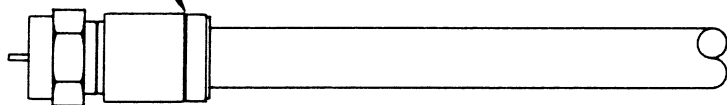
2). When installing one of the above connectors, using the Universal Tool, install the connector groove, (Fig 2), into the tool saddle.

3). The connector sleeve should be in front of the cable supports, with the cable supports closed around the cable. (Fig 2.)

4). With the cable/connector assembly in place, squeeze the tool handles closed until the connector sleeve snaps into place sealing the connection.

5). Remove the assembled connector by pushing upward on the connector to release the support fingers. (Fig 3.)

6). Check the connector sleeve for complete compression.



**CAUTION : WEAR SAFETY  
GLASSES WHEN TERMINATING  
COMPRESSION STYLE CONNECTORS**