

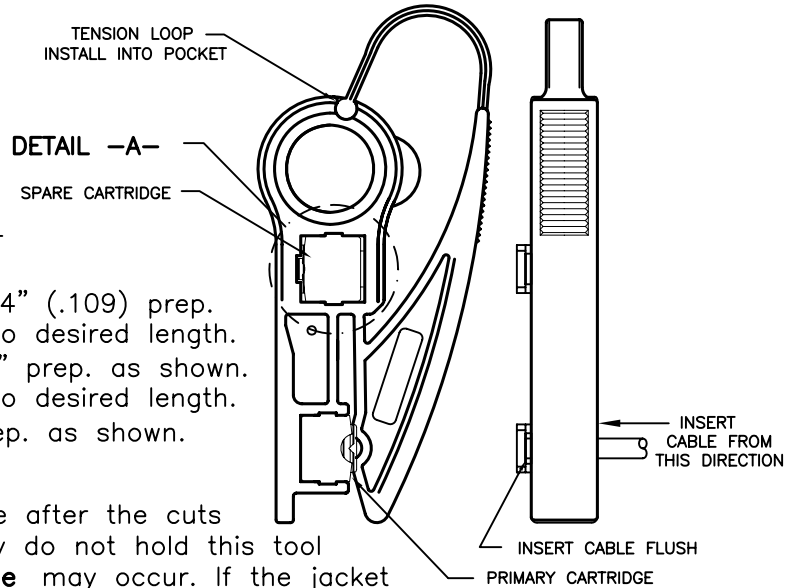
# 8700 SERIES CABLE STRIPPER

- 8700ES Strips RG 6/59 to a 1/4" x 5/16" prep.
- 8710ES strips RG 11/7 to a 1/4" x 5/16" prep.
- 8720ES strips RG 6/59 to a 1/4" x 5/16" prep or strips RG 11/7 to a 1/4" X 5/16" prep.
- 8730ES strips twisted pair cable.
- 8740ES strips RG 6/59 To a 1/4" x 5/16" prep or strips twisted pair cable.
- The 8750ES strips RG 58/59/62 to a 5/16" x 7/64" (.109) prep. Center conductor lengths are trimmed by the user to desired length.
- The 8760ES strips RG 58/59/62 to a .235" x .235" prep. as shown. Center conductor lengths are trimmed by the user to desired length.
- The 8770ES strips MINI-COAX to a 1/4" x 1/4" prep. as shown.

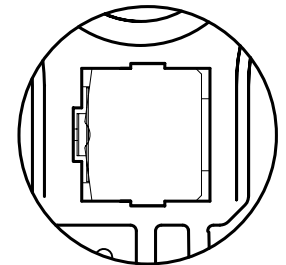
## MINI-COAX CABLE PREPARATION

Certain cable jacket materials are difficult to remove after the cuts are made. If the scrap jacket cannot be shed easily do not hold this tool closed to rip the jacket off the cable **Blade Damage** may occur. If the jacket scrap will not shed easily cut the jacket longitudinally along the circumference with a knife blade taking care not to cut into the braid. The jacket scrap can then be peeled off.

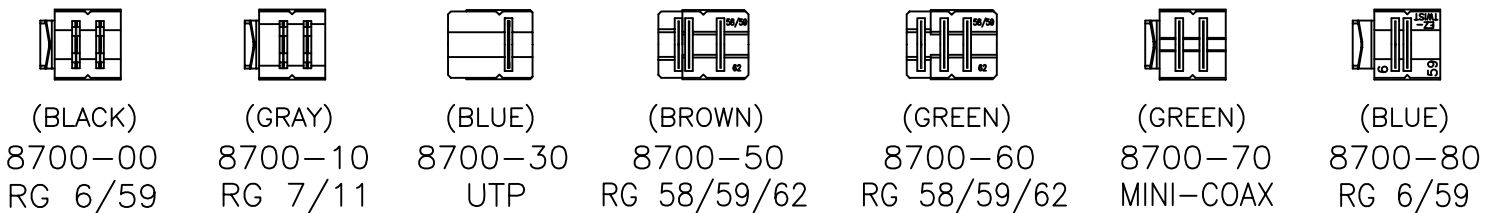
- The 8780ES strips RG 58/59 to a 5/16" x 1/8" prep. as shown for EZF-6/59 connectors.
- Ensure that the tension arm is installed into the notch of the finger loop as shown. This assembly procedure is required to provide proper cutting pressure.
- Squeeze the tension arm to permit entry of the cable into the cartridge nest. The end of the cable must contact the stop to assure cable preparation to industry standards.
- If a longer center conductor prep is required the stop can be removed.
- Hold the cable close to the stripper body and rotate the tool around the cable **6 to 8** times for 8700ES thru 8740ES. Rotate **12 to 15** times for 8750ES and 8760ES and **6 to 8** times for 8770ES and 8780ES. Number of turns required may vary with cable type and brand.
- Squeeze the front portion of the tension loop to hold cable in the tool. Pull the cable to remove the scrap or remove cut cable and rotate cut ends to discard scrap.
- The body has a molded-in storage area for an additional cartridge.
- The cartridge can be inserted from either side (except for 8700-70). SEE DETAIL -A-
- Center conductor stripping blade has a patented "V" notch to eliminate scoring.
- The blades are pre-set to industry standards.



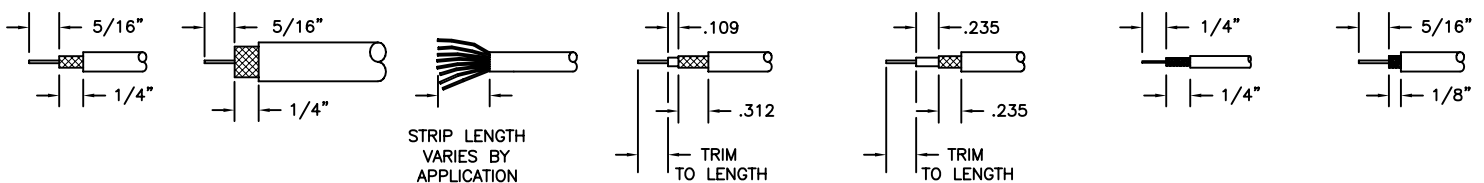
DETAIL -A-  
8770RB ONLY  
INSTALL AS SHOWN  
OR BLADE DAMAGE  
MAY RESULT!



## REPLACEMENT CARTRIDGES



## STRIPS ACHIEVED WITH VARIOUS CARTRIDGES



## SARGENT QUALITY TOOLS

MFG. BY ROSTRA TOOL CO.  
30 EAST INDUSTRIAL ROAD  
BRANFORD, CONN. 06405  
PHONE (203)488-8665 FAX (203)488-6497 ON THE WEB AT WWW.ROSTRATOOL.COM

MADE IN U.S.A.